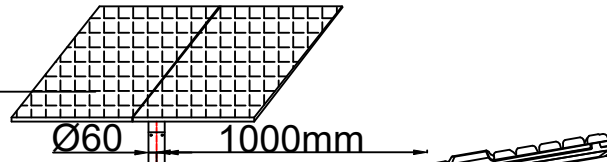


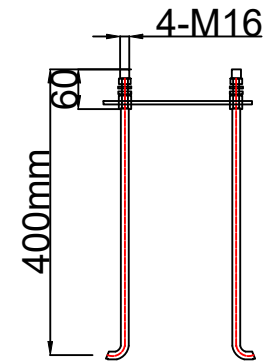
Solar panel



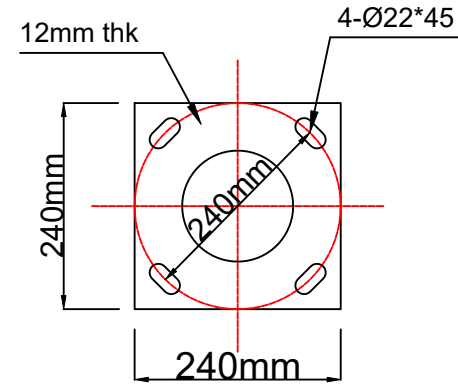
4000mm

3.0mm thk

- 1、 Material:steel Q235B
- 2、 Hot-dip galvanized not less than 80um
- 3、 Powder coated thickness not less than 100um,color is customized.

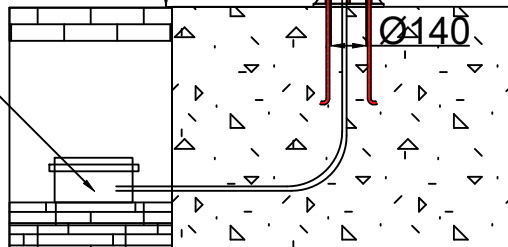


ANCHOR BOLT DETAIL



BASE PLATE

Gel Battery



|             |  |                |  |                                  |
|-------------|--|----------------|--|----------------------------------|
| NO.         |  | PROJECT TEAM   |  | <b>4M<br/>SOLAR STREET LIGHT</b> |
| DESIGNED BY |  | PROJECT NUMBER |  |                                  |
| DRAWN BY    |  | REVISION(S)    |  |                                  |
| CHECKED BY  |  | DATE           |  |                                  |