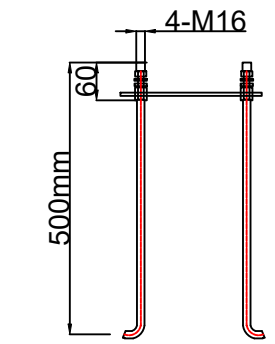
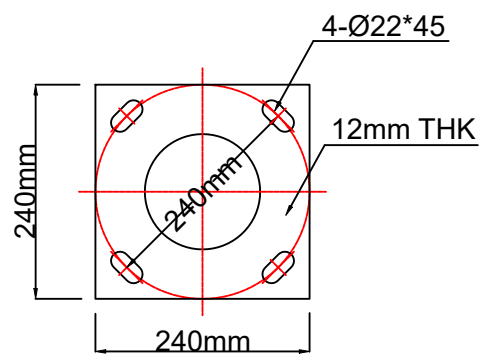


- 1、 Material:steel Q235B
- 2、 Hot-dip galvanized not less than 80um
- 3、 Powder coated thickness not less than 100um,color is customized.



ANCHOR BOLT DETAIL



BASE PLATE

| | | | | |
|-------------|--|----------------|--|--------------------------|
| NO. | | PROJECT TEAM | | 6M SOLAR STREET LIGHT |
| DESIGNED BY | | PROJECT NUMBER | | |
| DRAWN BY | | REVISION(S) | | |
| CHECKED BY | | DATE | | |