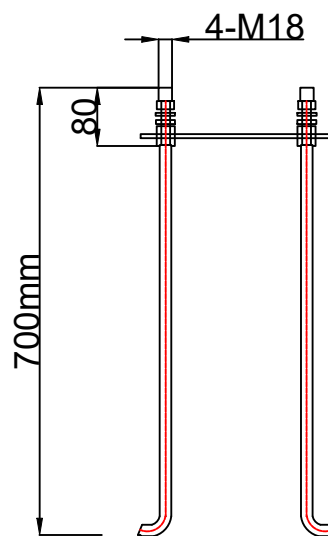
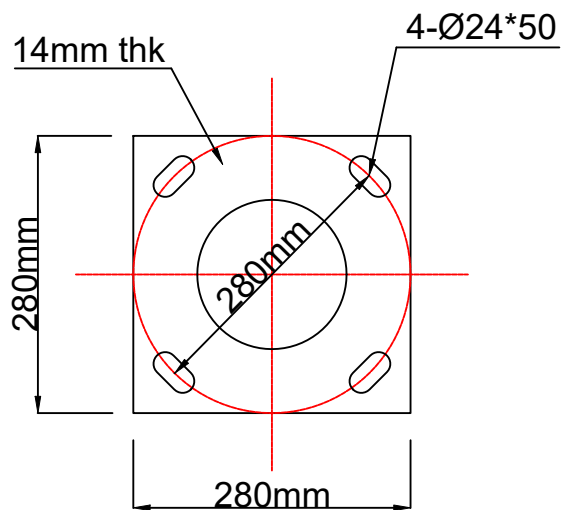


- 1、 Material:steel Q235B
- 2、 Hot-dip galvanized not less than 80um
- 3、 Powder coated thickness not less than 100um,color is customized.



ANCHOR BOLT DETAIL



BASE PLATE