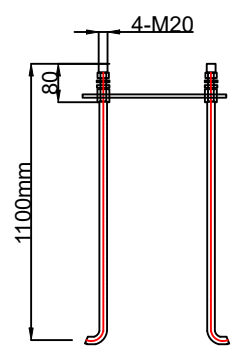
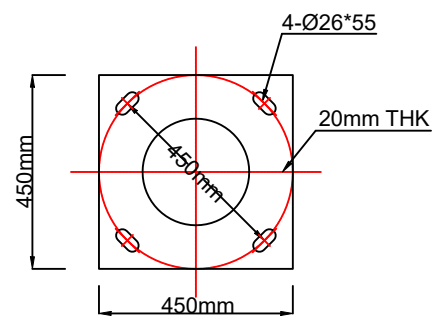


1. Material :steel Q235B
2. hot dip galvanized not less than 80um
3. powder coating thickness is not less than 100um, color can be customized.



ANCHOR BOLT DETAIL



BASE PLATE

Gel Battery

NO.	PROJECT TEAM		12M120W SOLAR STREET LIGHT
DESIGNED BY	PROJECT NUMBER		
DRAWN BY	REVISION(S)		
CHECKED BY	DATE		