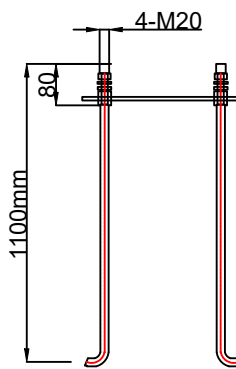
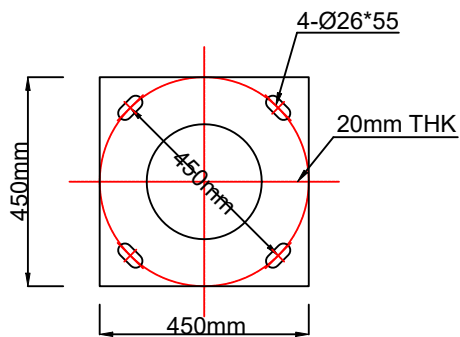


1. Material :steel Q235B
- 2, hot dip galvanized not less than 80um
- 3, powder coating thickness is not less than 100um, color can be customized.



**ANCHOR BOLT DETAIL**



**BASE PLATE**

NO.	PROJECT TEAM		12M120W SOLAR STREET LIGHT
DESIGNED BY	PROJECT NUMBER		
DRAWN BY	REVISION(S)		
CHECKED BY	DATE		